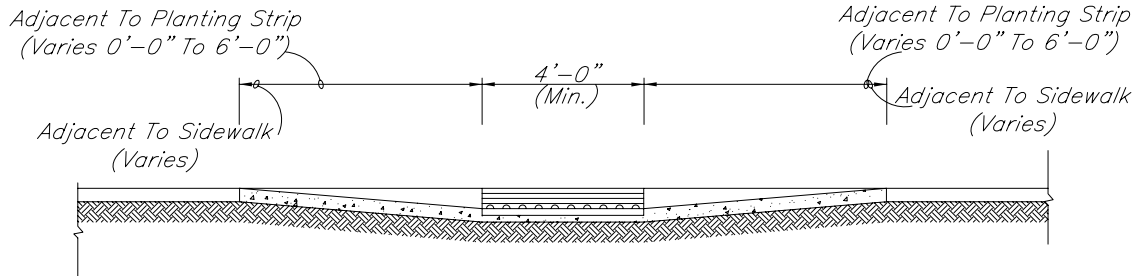
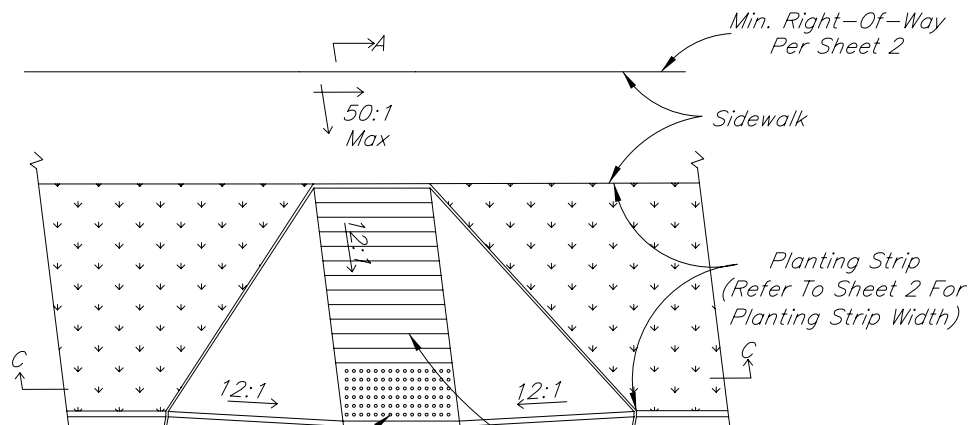


SECTION A-A
Scale: None



SECTION C-C
Scale: None



See INDOT Standard Drawing E 604-SWCR-02 For Details Of The Detectable Warning.
Detectable Warning Shall Be Constructed Of Brick Or Steel, Unless Otherwise Approved.

See INDOT Standard Drawing E 604-SWCR-02 For Groove Details

CURB RAMP, TYPE C

Scale: None

SIDEWALK RAMP CONSTRUCTION

1. Refer To INDOT Standard Drawings For Alternate Sidewalk Ramp Configurations And Construction Details.



DEPARTMENT OF ENGINEERING
16 South 10th Street
Suite 155
Noblesville, IN 46060

Phone: 317.776.6330
Fax: 317.776.6322
www.cityofnoblesville.org

Sidewalk Ramp
Detail

DATE: Jan 1, 2007